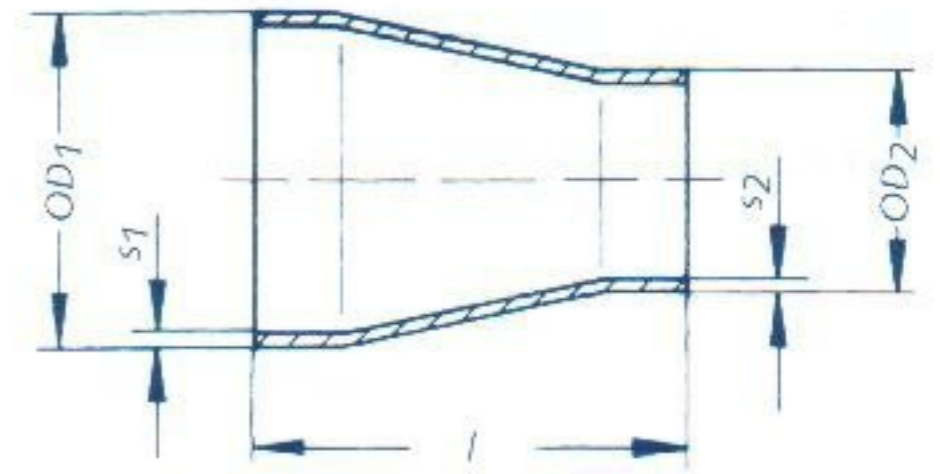


Concentric reducers

seamless or seam welded



		Size OD 1																				
		610	508	457	419	368	324	267	219	194	159	133	108	89	76	57	44,5	38	30	25	20	
Size OD 2	mm																					
	16																		●	●	●	●
	20																		●	●	●	●
	25																		●	●	●	●
	30																		●	●	●	●
	38																		●	●	●	●
	44,5																		●	●	●	●
	57																		●	●	●	●
	76																		●	●	●	●
	89																		●	●	●	●
	108																		●	●	●	●
	133																		●	●	●	●
	159																		●	●	●	●
	194																		●	●	●	●
	219																		●	●	●	●
	267																		●	●	●	●
	324																		●	●	●	●
	368																		●	●	●	●
419																		●	●	●	●	
457																		●	●	●	●	
508																		●	●	●	●	

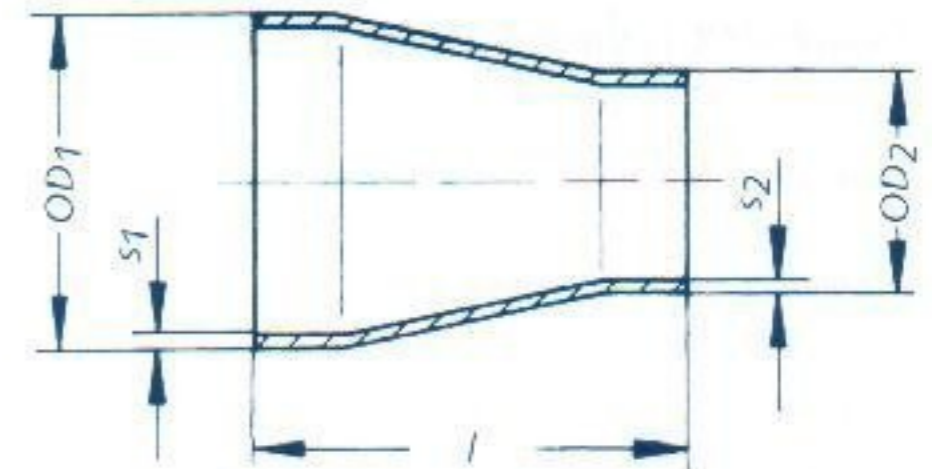
● Seamless concentric reducers ○ Seam welded concentric reducers

Concentric reducers - Fig. 3.0001

seamless

DIN 86089

Material:
Nie-Met 10 (CuNi90/10)
CuZn20Al2 – aluminium brass



Size				Wall Thickness				Length		Theoretical Weight kg per piece			
DN				OD ₁	OD ₂		s ₁	s ₂	l				
inch		mm		mm	mm	mm	mm	mm					
1/2	x	3/8	16	x	12	20	x	16	1	x	1	30	0,015
3/4	x	3/8	20	x	12	25	x	16	1.5	x	1	30	0,020
3/4	x	1/2	20	x	16	25	x	20	1.5	x	1	30	0,023
1	x	3/8	25	x	12	30	x	16	1.5	x	1	35	0,030
1	x	1/2	25	x	16	30	x	20	1.5	x	1	35	0,033
1	x	3/4	25	x	20	30	x	25	1.5	x	1.5	35	0,035
1 1/4	x	3/8	32	x	12	38	x	16	1.5	x	1	50	0,038
1 1/4	x	1/2	32	x	16	38	x	20	1.5	x	1	50	0,040
1 1/4	x	3/4	32	x	20	38	x	25	1.5	x	1.5	50	0,043
1 1/4	x	1	32	x	25	38	x	30	1.5	x	1.5	50	0,045
1 1/2	x	1/2	40	x	16	44.5	x	20	1.5	x	1	80	0,05
1 1/2	x	3/4	40	x	20	44.5	x	25	1.5	x	1.5	80	0,06
1 1/2	x	1	40	x	25	44.5	x	30	1.5	x	1.5	80	0,07
1 1/2	x	1 1/4	40	x	32	44.5	x	38	1.5	x	1.5	80	0,08
2	x	3/4	50	x	20	57	x	25	1.5	x	1.5	80	0,11
2	x	1	50	x	25	57	x	30	1.5	x	1.5	80	0,12
2	x	1 1/4	50	x	32	57	x	38	1.5	x	1.5	80	0,14
2	x	1 1/2	50	x	40	57	x	44.5	1.5	x	1.5	80	0,16
2 1/2	x	1	65	x	25	76	x	30	2	x	1.5	90	0,25
2 1/2	x	1 1/4	65	x	32	76	x	38	2	x	1.5	90	0,27
2 1/2	x	1 1/2	65	x	40	76	x	44.5	2	x	1.5	90	0,30
2 1/2	x	2	65	x	50	76	x	57	2	x	1.5	90	0,33
3	x	1 1/4	80	x	32	89	x	38	2	x	1.5	90	0,46
3	x	1 1/2	80	x	40	89	x	44.5	2	x	1.5	90	0,48
3	x	2	80	x	50	89	x	57	2	x	1.5	90	0,49
3	x	2 1/2	80	x	65	89	x	76	2	x	2	90	0,51
4	x	1 1/2	100	x	40	108	x	44.5	2.5	x	1.5	100	0,58
4	x	2	100	x	50	108	x	57	2.5	x	1.5	100	0,60
4	x	2 1/2	100	x	65	108	x	76	2.5	x	2	100	0,66
4	x	3	100	x	80	108	x	89	2.5	x	2	100	0,72

Concentric reducers - Fig. 3.0001

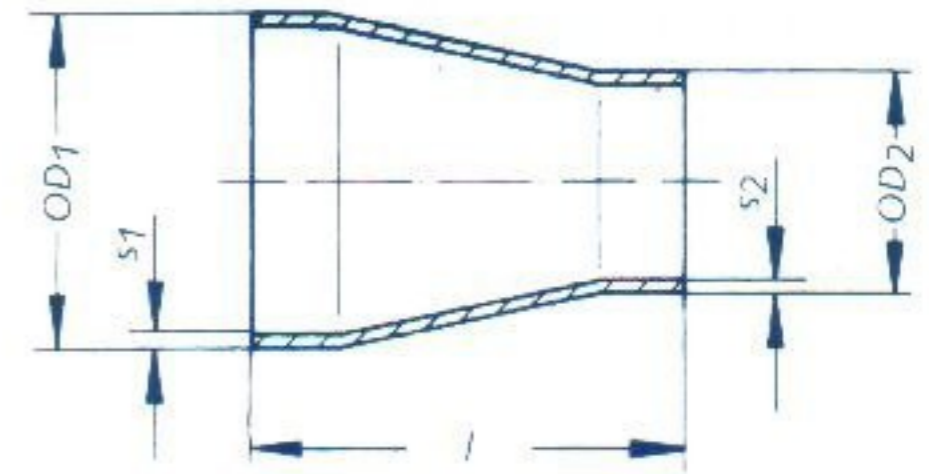
seamless

DIN 86089

Material:

Nie-Met 10 (CuNi90/10)

CuZn20Al2 – aluminium brass

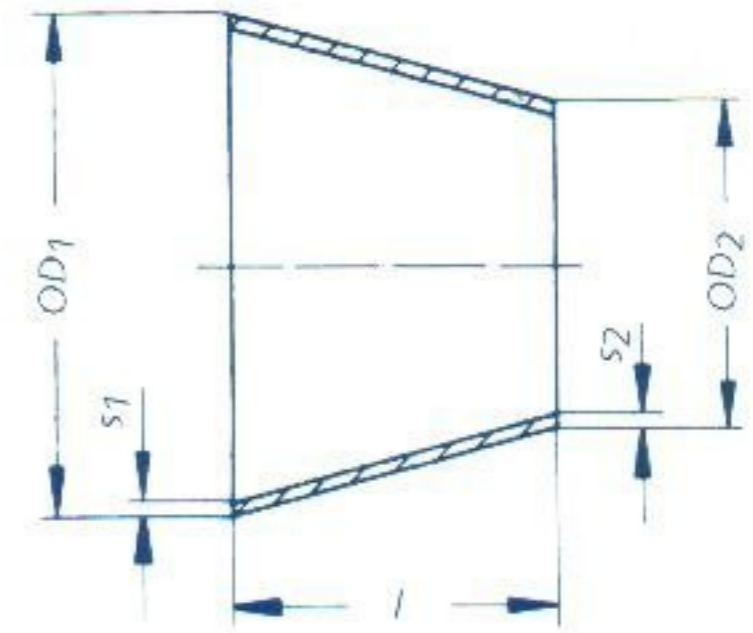


Size				Wall Thickness			Length	Theoretical Weight
DN		OD ₁	OD ₂	s ₁	s ₂	l	kg per piece	
inch	mm	mm	mm	mm	mm	mm		
5 x 2	125 x 50	133	57	2.5	1.5	140	0,86	
5 x 2 1/2	125 x 65	133	76	2.5	2	140	0,90	
5 x 3	125 x 80	133	89	2.5	2	140	0,94	
5 x 4	125 x 100	133	108	2.5	2.5	140	0,98	
6 x 2 1/2	150 x 65	159	76	2.5	2	150	1,16	
6 x 3	150 x 80	159	89	2.5	2	150	1,25	
6 x 4	150 x 100	159	108	2.5	2.5	150	1,37	
6 x 5	150 x 125	159	133	2.5	2.5	150	1,70	
7 x 3	175 x 80	194	89	3	2	155	1,94	
7 x 4	175 x 100	194	108	3	2.5	155	1,96	
7 x 5	175 x 125	194	133	3	2.5	155	2,01	
7 x 6	175 x 150	194	159	3	2.5	155	2,08	
8 x 4	200 x 100	219	108	3	2.5	155	2,55	
8 x 5	200 x 125	219	133	3	2.5	155	2,64	
8 x 6	200 x 150	219	159	3	2.5	155	2,73	
8 x 7	200 x 175	219	194	3	3	155	2,82	
10 x 5	250 x 125	267	133	3	2.5	210	4,42	
10 x 6	250 x 150	267	159	3	2.5	210	4,53	
10 x 7	250 x 175	267	194	3	3	210	4,63	
10 x 8	250 x 200	267	219	3	3	210	4,78	
12 x 5	300 x 125	324	133	4	2.5	210	7,12	
12 x 6	300 x 150	324	159	4	2.5	210	7,20	
12 x 7	300 x 175	324	194	4	3	210	7,28	
12 x 8	300 x 200	324	219	4	3	210	7,40	
12 x 10	300 x 250	324	267	4	3	210	7,55	

Concentric reducers - Fig. 3.0001 W

seam welded

Material:
Nie-Met 10 (CuNi90/10)
CuZn20Al2 – aluminium brass



Size					Wall Thickness					Length l mm	Theoretical Weight kg per piece		
DN				OD ₁			OD ₂	s ₁	s ₂				
inch		mm		mm		mm	mm						
14	x	6	350	x	150	368	x	159	4	x	2.5	300	10,75
14	x	7	350	x	175	368	x	194	4	x	3	300	11,05
14	x	8	350	x	200	368	x	219	4	x	3	300	11,40
14	x	10	350	x	250	368	x	267	4	x	3	300	11,80
14	x	12	350	x	300	368	x	324	4	x	4	300	12,20
16	x	7	400	x	175	419	x	194	4	x	3	325	12,90
16	x	8	400	x	200	419	x	219	4	x	3	325	13,40
16	x	10	400	x	250	419	x	267	4	x	3	325	13,90
16	x	12	400	x	300	419	x	324	4	x	4	325	14,40
16	x	14	400	x	350	419	x	368	4	x	4	325	15,10
18	x	8	450	x	200	457	x	219	4.5	x	3	350	17,09
18	x	10	450	x	250	457	x	267	4.5	x	3	350	17,60
18	x	12	450	x	300	457	x	324	4.5	x	4	350	18,19
18	x	14	450	x	350	457	x	368	4.5	x	4	350	18,95
18	x	16	450	x	400	457	x	419	4.5	x	4	350	19,90
20	x	10	500	x	250	508	x	267	5	x	3	375	22,00
20	x	12	500	x	300	508	x	324	5	x	4	375	23,10
20	x	14	500	x	350	508	x	368	5	x	4	375	24,30
20	x	16	500	x	400	508	x	419	5	x	4	375	25,20
20	x	18	500	x	450	508	x	457	5	x	4.5	375	26,10
24	x	14	600	x	350	610	x	368	5	x	4	400	29,90
24	x	16	600	x	400	610	x	419	5	x	4	400	30,70
24	x	18	600	x	450	610	x	457	5	x	4.5	400	31,80
24	x	20	600	x	500	610	x	508	5	x	5	400	33,50

