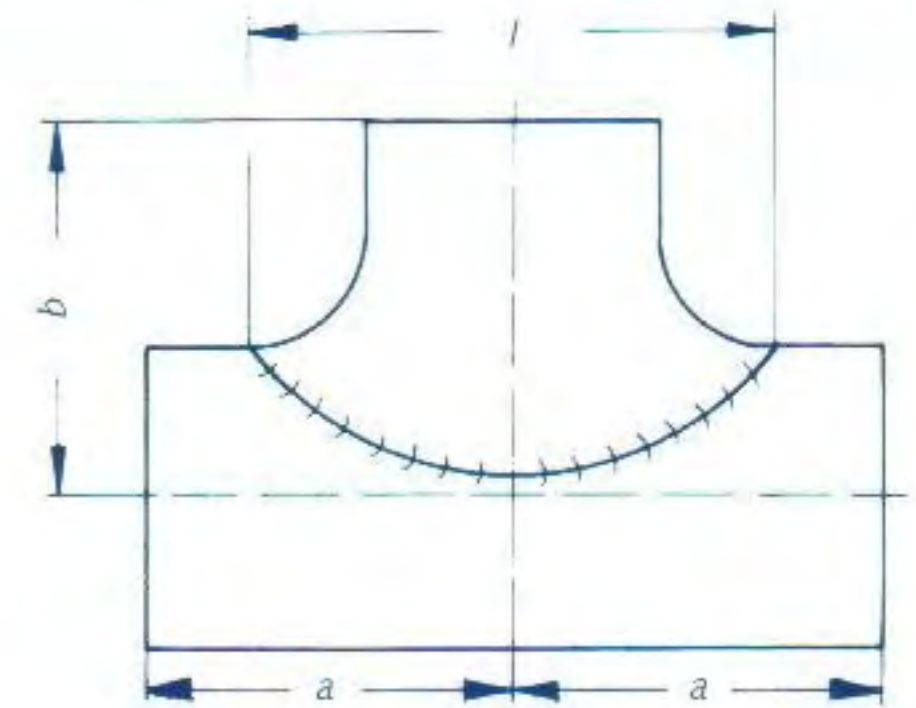
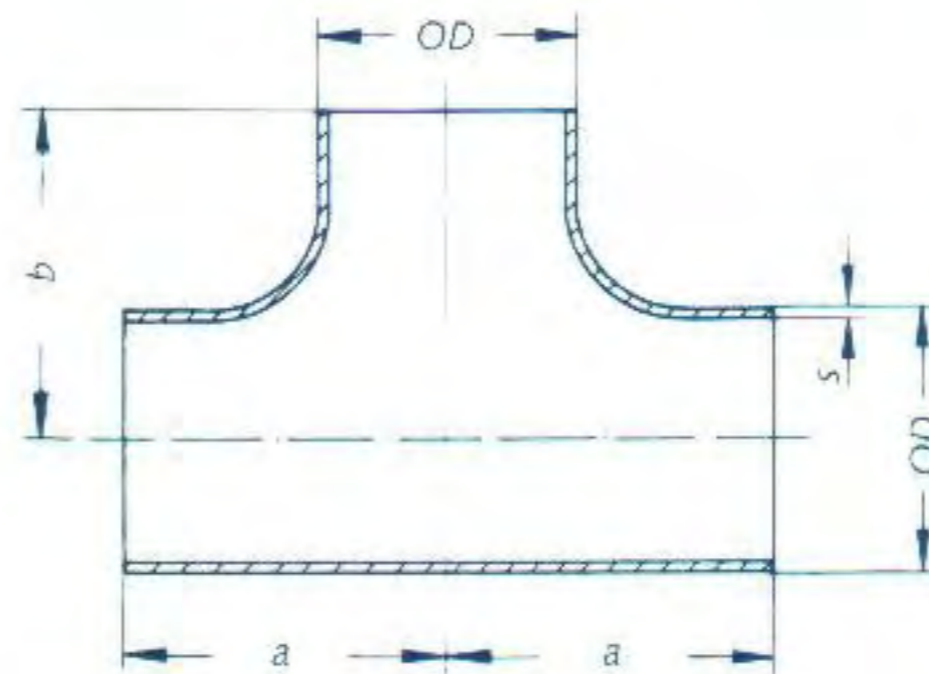


Tees

with equal or reducing branch



		Header Size OD 1																		
		508	457	419	368	324	267	219	194	159	133	108	89	76	57	44,5	38	30	25	20
Branch Size OD 2	mm	508	457	419	368	324	267	219	194	159	133	108	89	76	57	44,5	38	30	25	20
	20	□	□	□	□	□	□	□	□	□	□	□	□	□	□	●	●	●	●	●
	25	□	□	□	□	□	□	□	□	□	□	□	□	□	□	●	●	●	●	●
	30	□	□	□	□	□	□	□	□	□	□	□	□	□	□	●	●	●	●	●
	38	□	□	□	□	□	□	□	□	□	□	□	□	□	□	●	●	●	●	●
	44,5	□	□	□	□	□	□	□	□	□	□	□	□	□	□	●	●	●	●	●
	57	□	□	□	□	□	□	□	□	□	□	□	□	□	□	●	●	●	●	●
	76	□	□	□	□	□	□	□	□	□	□	□	□	□	□	●	●	●	●	●
	89	□	□	□	□	□	□	□	□	□	□	□	□	□	□	●	●	●	●	●
	108	□	□	□	□	□	□	□	□	□	□	□	□	□	□	●	●	●	●	●
	133	□	□	□	□	□	□	□	□	□	□	□	□	□	□	●	●	●	●	●
	159	□	□	□	□	□	□	□	□	□	□	□	□	□	□	●	●	●	●	●
	194	□	□	□	□	□	□	□	□	□	□	□	□	□	□	●	●	●	●	●
	219	△	△	△	△	□	□	□	□	□	□	□	□	□	□	●	●	●	●	●
	267	△	△	△	△	□	□	□	□	□	□	□	□	□	□	●	●	●	●	●
	324	○	△	△	△	□	□	□	□	□	□	□	□	□	□	●	●	●	●	●
	368	○	○	○	○	□	□	□	□	□	□	□	□	□	□	●	●	●	●	●
419	○	○	○	○	□	□	□	□	□	□	□	□	□	□	●	●	●	●	●	
457	○	○	○	○	□	□	□	□	□	□	□	□	□	□	●	●	●	●	●	
508	○	○	○	○	□	□	□	□	□	□	□	□	□	□	●	●	●	●	●	

- Tees seamless
- Tees seam welded, with seam welded saddle
- Tees seam welded, with seamless saddle
- △ Tees seam welded, with seamless or seam welded saddle

Tees, equal - Fig. 3.0200

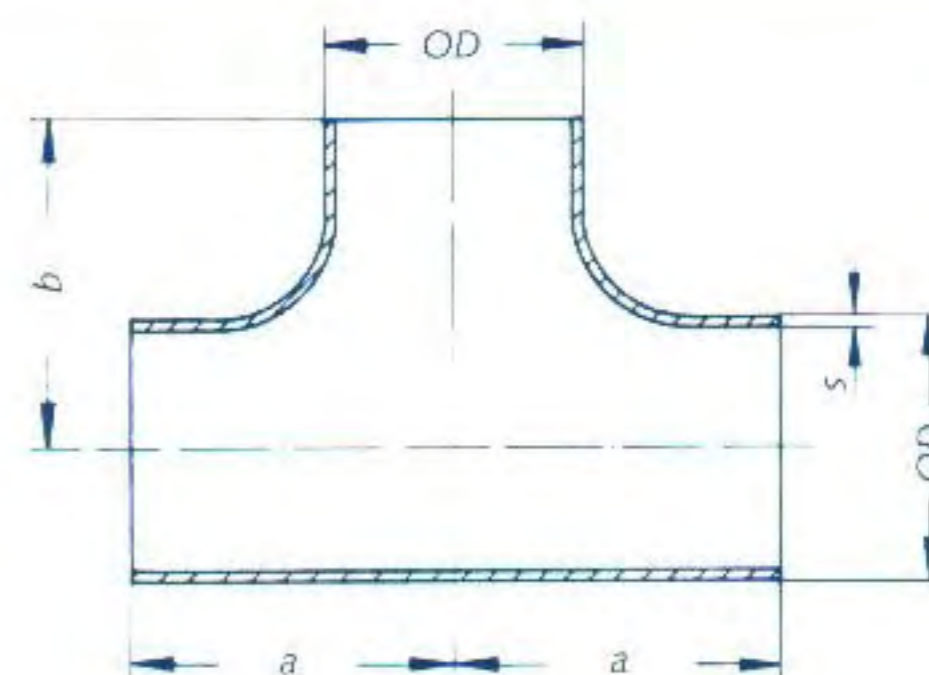
seamless

DIN 86088

Material:

Nie-Met 10 (CuNi90/10)

CuZn20Al2 – aluminium brass



Form A

Form A - DIN 86088

Size			Wall Thickness s mm	a mm	b mm	Theoretical Weight kg per piece
DN		OD				
inch	mm	mm				
1/2	16	20	1	25	25	0,11
3/4	20	25	1.5	29	29	0,14
1	25	30	1.5	38	38	0,18
1 1/4	32	38	1.5	48	48	0,22
1 1/2	40	44.5	1.5	57	57	0,31
2	50	57	1.5	64	64	0,45
2 1/2	65	76	2	76	76	1,07
3	80	89	2	86	86	2,33
4	100	108	2.5	105	105	2,85
5	125	133	2.5	124	124	3,41
6	150	159	2.5	143	143	4,71
8	200	219	3	178	178	7,25

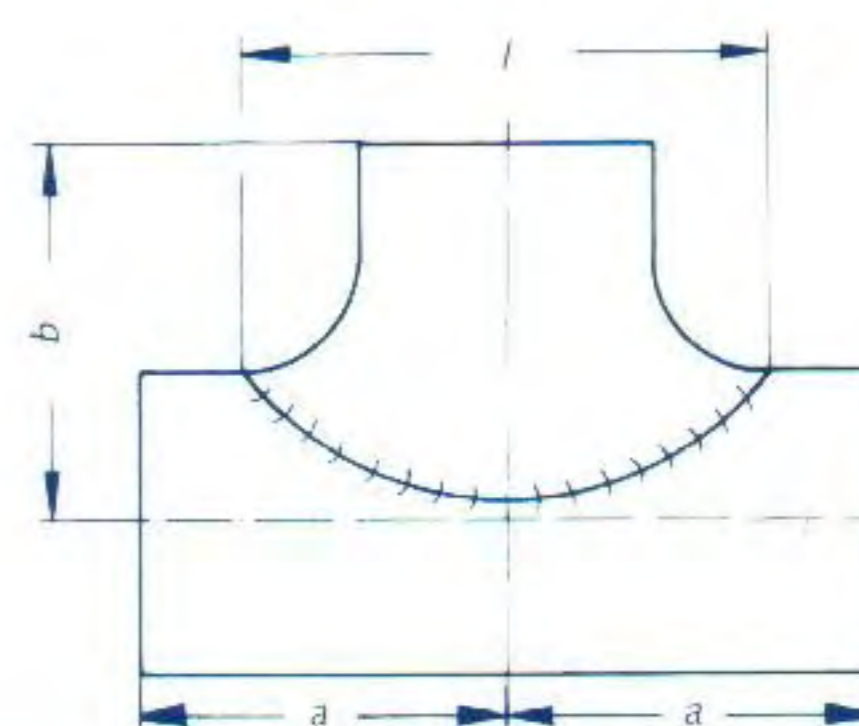
Tees, equal - Fig. 3.0300 W

seam welded

Material:

Nie-Met 10 (CuNi90/10)

CuZn20Al2 – aluminium brass



Form B

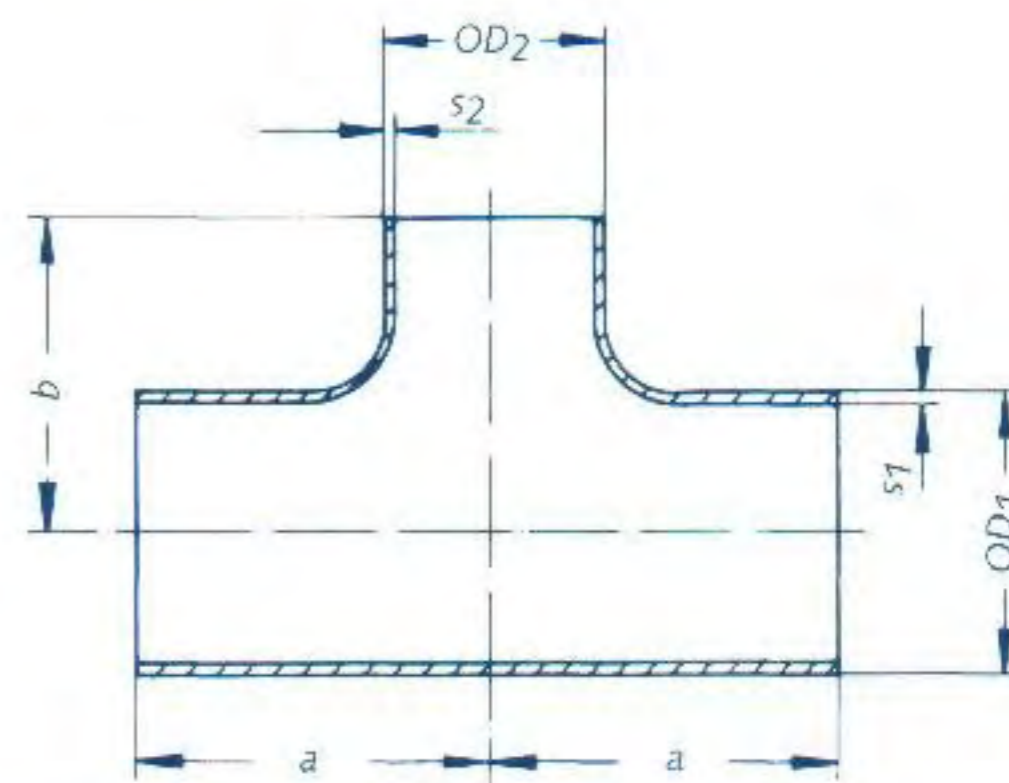
Size			Wall Thickness s mm	a mm	b mm	l mm	Theoretical Weight kg per piece
DN		OD					
inch	mm	mm					
10	250	267	3	324	289	447	19,20
12	300	324	4	380	347	560	30,48
14	350	368	4	407	384	613	38,50
16	400	419	4	440	435	680	49,10
18	450	457	4.5	500	479	800	56,80
20	500	508	5	540	529	880	77,31

Tees, reducing - Fig. 3.0400

seamless

DIN 86088

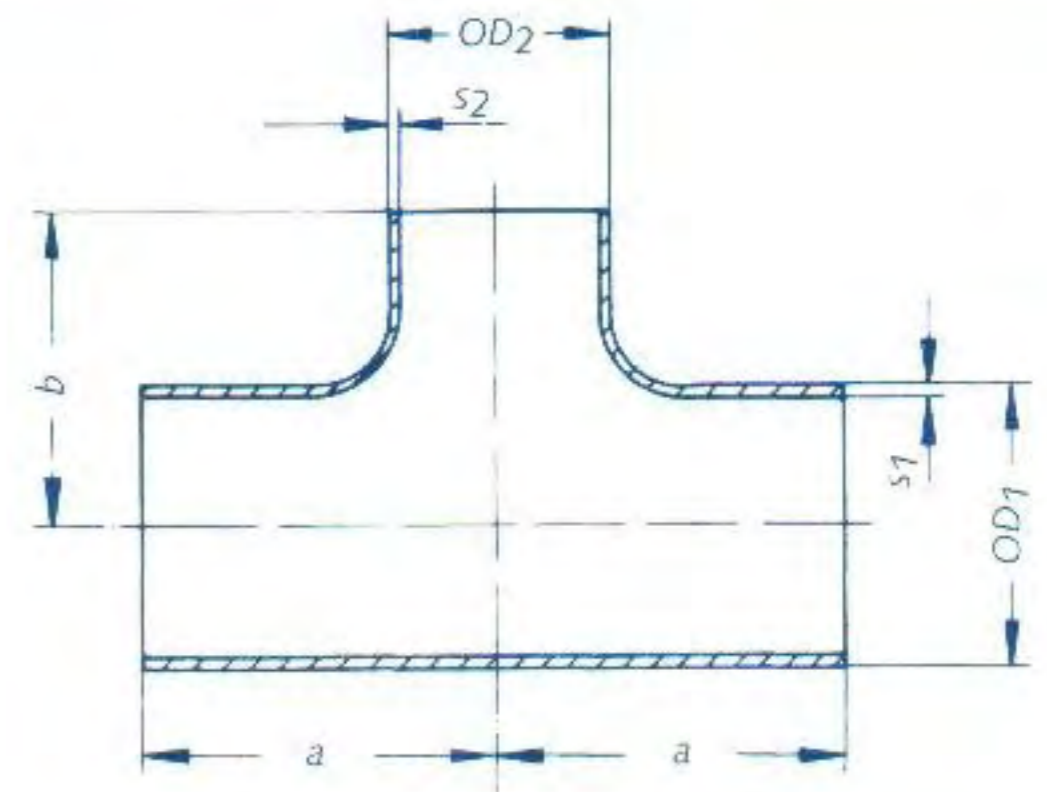
Material:
Nie-Met 10 (CuNi90/10)
CuZn20Al2 – aluminium brass



Form A

Size						Wall Thickness						Theoretical Weight kg per piece		
DN				OD ₁	OD ₂	s ₁	s ₂		a	b				
inch		mm		mm	mm	mm		mm	mm					
3/4	x	1/2	20	x	16	25	x	20	1.5	x	1	29	26	0,05
1	x	1/2	25	x	16	30	x	20	1.5	x	1	38	29	0,07
1	x	3/4	25	x	20	30	x	25	1.5	x	1.5	38	35	0,07
1 1/4	x	1/2	32	x	16	38	x	20	1.5	x	1	48	33	0,12
1 1/4	x	3/4	32	x	20	38	x	25	1.5	x	1.5	48	35	0,125
1 1/4	x	1	32	x	25	38	x	30	1.5	x	1.5	48	42	0,125
1 1/2	x	1/2	40	x	16	44.5	x	20	1.5	x	1	57	36	0,185
1 1/2	x	3/4	40	x	20	44.5	x	25	1.5	x	1.5	57	40	0,185
1 1/2	x	1	40	x	25	44.5	x	30	1.5	x	1.5	57	45	0,185
1 1/2	x	1 1/4	40	x	32	44.5	x	38	1.5	x	1.5	57	51	0,185
2	x	3/4	50	x	20	57	x	25	1.5	x	1.5	64	47	0,280
2	x	1	50	x	25	57	x	30	1.5	x	1.5	64	51	0,285
2	x	1 1/4	50	x	32	57	x	38	1.5	x	1.5	64	57	0,285
2	x	1 1/2	50	x	40	57	x	44.5	1.5	x	1.5	64	63	0,290
2 1/2	x	1	65	x	25	76	x	30	2	x	1.5	76	56	0,650
2 1/2	x	1 1/4	65	x	32	76	x	38	2	x	1.5	76	62	0,650
2 1/2	x	1 1/2	65	x	40	76	x	44.5	2	x	1.5	76	71	0,650
2 1/2	x	2	65	x	50	76	x	57	2	x	1.5	76	73	0,650
3	x	1 1/4	80	x	32	89	x	38	2	x	1.5	86	73	0,820
3	x	1 1/2	80	x	40	89	x	44.5	2	x	1.5	86	76	0,900
3	x	2	80	x	50	89	x	57	2	x	1.5	86	80	1,10
3	x	2 1/2	80	x	65	89	x	76	2	x	2	86	83	1,25

Tees, reducing - Fig. 3.0400
(continuation)



Form A

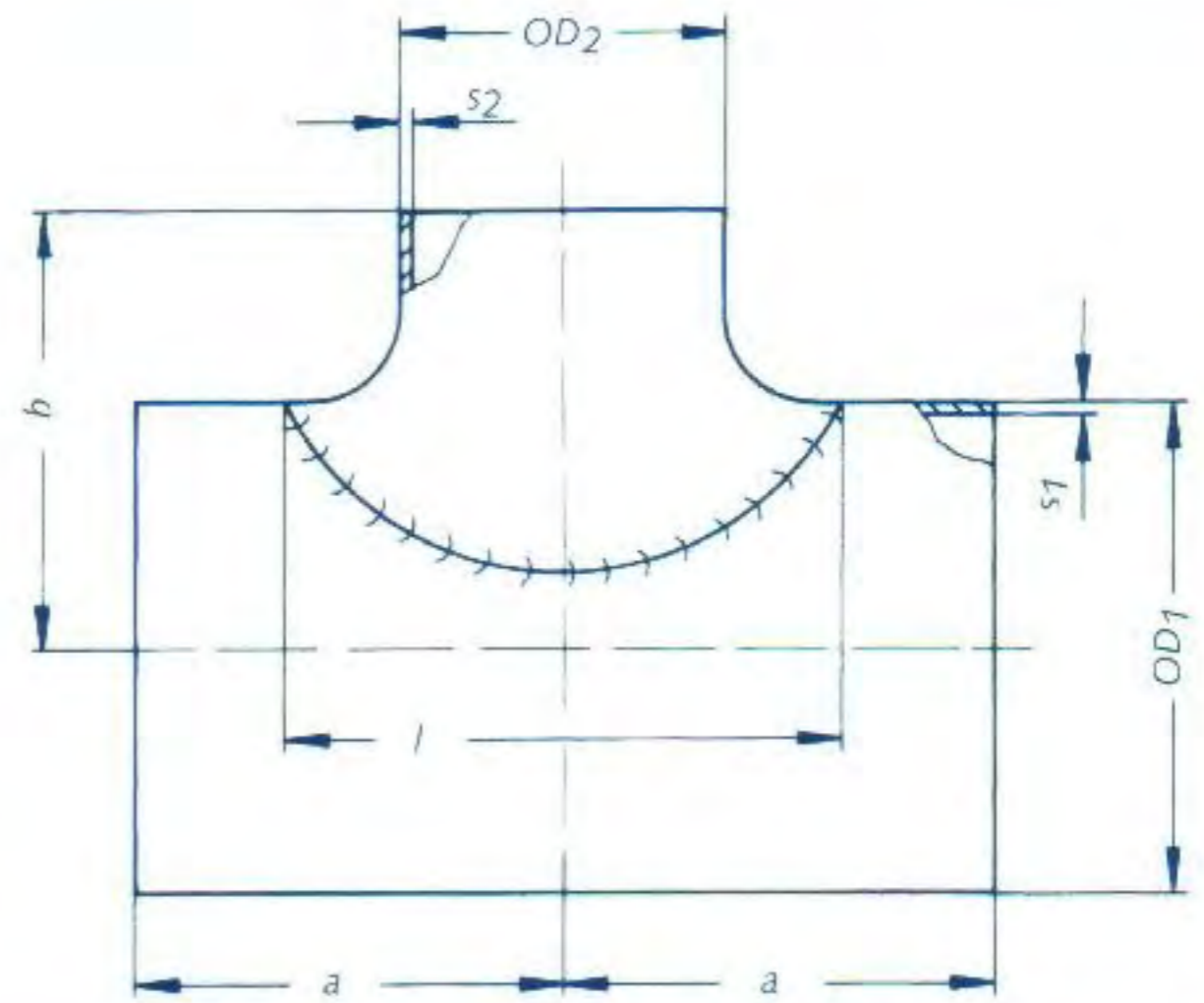
Size				Wall Thickness		a mm	b mm	Theoretical Weight kg per piece		
DN		OD ₁	OD ₂	s ₁	s ₂					
inch	mm	mm	mm	mm	mm					
4	x 1 1/2	100	x 40	108	x 44.5	2.5	x 1.5	105	89	2,30
4	x 2	100	x 50	108	x 57	2.5	x 1.5	105	90	2,45
4	x 2 1/2	100	x 65	108	x 76	2.5	x 2	105	92	2,50
4	x 3	100	x 80	108	x 89	2.5	x 2	105	96	2,60
5	x 2	125	x 50	133	x 57	2.5	x 1.5	124	98	3,20
5	x 2 1/2	125	x 65	133	x 76	2.5	x 2	124	105	3,30
5	x 3	125	x 80	133	x 89	2.5	x 2	124	108	3,40
5	x 4	125	x 100	133	x 108	2.5	x 2.5	124	117	3,51
6	x 2 1/2	150	x 65	159	x 76	2.5	x 2	143	118	4,05
6	x 3	150	x 80	159	x 89	2.5	x 2	143	121	4,15
6	x 4	150	x 100	159	x 108	2.5	x 2.5	143	130	4,31
6	x 5	150	x 125	159	x 133	2.5	x 2.5	143	136	4,51
8	x 4	200	x 100	219	x 108	3	x 2.5	178	156	6,15
8	x 5	200	x 125	219	x 133	3	x 2.5	178	162	6,30
8	x 6	200	x 150	219	x 159	3	x 2.5	178	168	6,50



Tees, reducing - Fig. 3.0500 W

seam welded

Material:
Nie-Met 10 (CuNi90/10)
CuZn20Al2 – aluminium brass



Form B

Size						OD1		OD2		Wall Thickness		a	b	l	Theoretical Weight kg per piece	
DN		mm		mm		mm		s1	s2	mm	mm					mm
inch								mm	mm							
10	x	4	250	x	100	267	x	108	3	x	2.5	194	209	188	8,58	
10	x	5	250	x	125	267	x	133	3	x	2.5	217	219	233	9,73	
10	x	6	250	x	150	267	x	159	3	x	2.5	240	229	279	10,62	
10	x	7	250	x	175	267	x	194	3	x	3	267	243	334	11,82	
10	x	8	250	x	200	267	x	219	3	x	3	290	259	379	13,28	
12	x	5	300	x	125	324	x	133	4	x	2.5	217	247	233	15,73	
12	x	6	300	x	150	324	x	159	4	x	2.5	240	257	279	17,16	
12	x	7	300	x	175	324	x	194	4	x	3	267	272	334	18,95	
12	x	8	300	x	200	324	x	219	4	x	3	290	287	379	20,74	
12	x	10	300	x	250	324	x	267	4	x	3	324	317	447	23,60	
14	x	6	350	x	150	368	x	159	4	x	2.5	240	279	279	19,53	
14	x	7	350	x	175	368	x	194	4	x	3	267	294	334	21,56	
14	x	8	350	x	200	368	x	219	4	x	3	290	309	379	23,60	
14	x	10	350	x	250	368	x	267	4	x	3	324	339	447	26,44	
14	x	12	350	x	300	368	x	324	4	x	4	380	369	560	30,92	
16	x	7	400	x	175	419	x	194	4	x	3	267	319	334	24,58	
16	x	8	400	x	200	419	x	219	4	x	3	290	335	379	26,90	
16	x	10	400	x	250	419	x	267	4	x	3	324	365	447	30,15	
16	x	12	400	x	300	419	x	324	4	x	4	380	395	560	35,25	
16	x	14	400	x	350	419	x	368	4	x	4	407	410	613	37,76	
18	x	8	450	x	200	457	x	219	4.5	x	3	290	354	379	33,00	
18	x	10	450	x	250	457	x	267	4.5	x	3	324	383	447	36,98	
18	x	12	450	x	300	457	x	324	4.5	x	4	380	413	560	43,16	
18	x	14	450	x	350	457	x	368	4.5	x	4	407	428	613	46,31	
18	x	16	450	x	400	457	x	419	4.5	x	4	440	453	680	50,01	
20	x	8	500	x	200	508	x	219	5	x	3	290	379	379	40,76	
20	x	10	500	x	250	508	x	267	5	x	3	324	409	447	45,68	
20	x	12	500	x	300	508	x	324	5	x	4	380	439	560	53,49	
20	x	14	500	x	350	508	x	368	5	x	4	407	454	613	57,20	
20	x	16	500	x	400	508	x	419	5	x	4	440	479	680	61,84	
20	x	18	500	x	450	508	x	457	5	x	4.5	500	504	800	70,28	