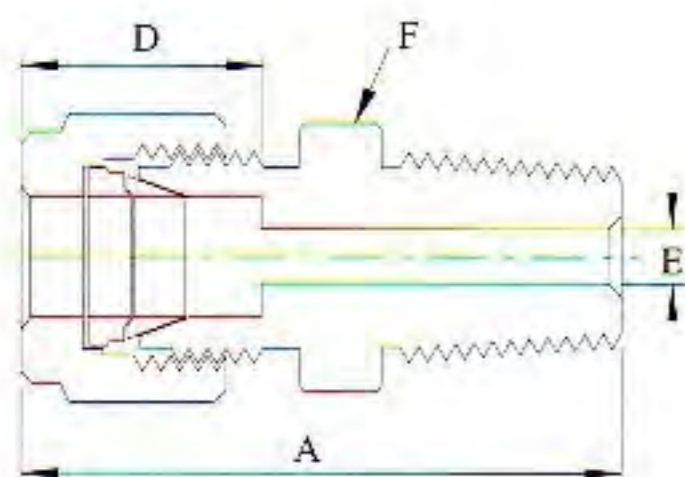




VEE-LOK

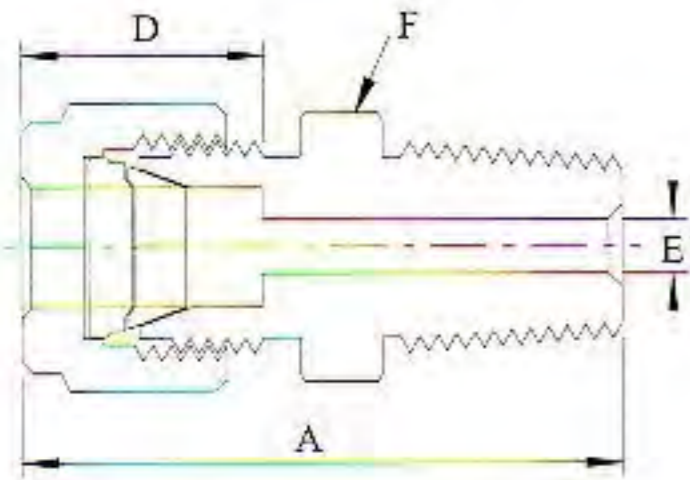
MALE CONNECTOR



TUBE O.D.	NPT THREAD	PART NO.	A	D	E	F
MILLIMETERS						
6	1/8	MMC6-2	32.80	15.30	4.80	14
6	1/4	MMC6-4	37.90	15.30	4.80	14
6	3/8	MMC6-6	38.40	15.30	4.80	18
6	1/2	MMC6-8	44.70	15.30	4.80	22
8	1/8	MMC8-2	34.20	16.20	4.80	15
8	1/4	MMC8-4	38.70	16.20	6.40	15
8	3/8	MMC8-6	39.30	16.20	6.40	18
10	1/8	MMC10-2	36.30	17.20	4.80	18
10	1/4	MMC10-4	40.90	17.20	7.90	18
10	3/8	MMC10-6	40.90	17.20	7.90	18
10	1/2	MMC10-8	46.50	17.20	7.90	22
12	1/4	MMC12-4	43.40	22.80	7.10	22
12	3/8	MMC12-6	43.40	22.80	9.50	22
12	1/2	MMC12-8	49.00	22.80	9.50	22
12	3/4	MMC12-12	50.50	22.80	9.50	27
16	3/8	MMC16-6	44.10	24.40	9.50	24
16	1/2	MMC16-8	49.00	24.40	11.90	24
16	3/4	MMC16-12	50.50	24.40	12.70	27
18	1/2	MMC18-8	50.50	24.40	11.90	27
18	3/4	MMC18-12	50.50	24.40	15.10	27
20	1/2	MMC20-8	52.30	26.00	11.90	30
20	3/4	MMC20-12	52.30	26.00	15.90	30
22	3/4	MMC22-12	52.30	26.00	15.90	30
22	1	MMC22-16	57.10	26.00	18.30	35
25	3/4	MMC25-12	57.50	31.30	15.90	35
25	1	MMC25-16	62.30	31.30	21.80	35

Dimensions for reference only, subject to change.

MALE CONNECTOR



TUBE O.D.	NPT THREAD	PART NO.	A	D	E	F
INCHES						
1/8	1/8	MC2-2	1.20	0.50	0.09	7/16
1/8	1/4	MC2-4	1.40	0.50	0.09	9/16
1/8	3/8	MC2-6	1.41	0.50	0.09	11/16
1/8	1/2	MC2-8	1.66	0.50	0.09	7/8
1/4	1/8	MC4-2	1.29	0.60	0.19	1/2
1/4	1/4	MC4-4	1.49	0.60	0.19	9/16
1/4	3/8	MC4-6	1.51	0.60	0.19	11/16
1/4	1/2	MC4-8	1.76	0.60	0.19	7/8
1/4	3/4	MC4-12	1.82	0.60	0.19	1 1/16
5/16	1/8	MC5-2	1.34	0.64	0.19	9/16
5/16	1/4	MC5-4	1.52	0.64	0.25	9/16
5/16	3/8	MC5-6	1.54	0.64	0.25	11/16
3/8	1/8	MC6-2	1.39	0.66	0.19	5/8
3/8	1/4	MC6-4	1.57	0.66	0.28	5/8
3/8	3/8	MC6-6	1.57	0.66	0.28	11/16
3/8	1/2	MC6-8	1.82	0.66	0.28	7/8
3/8	3/4	MC6-12	1.88	0.66	0.28	1 1/16
1/2	1/8	MC8-2	1.53	0.90	0.19	13/16
1/2	1/4	MC8-4	1.71	0.90	0.28	13/16
1/2	3/8	MC8-6	1.71	0.90	0.38	13/16
1/2	1/2	MC8-8	1.93	0.90	0.41	7/8
1/2	3/4	MC8-12	1.99	0.90	0.41	1 1/16
1/2	1	MC8-16	2.25	0.90	0.41	1 3/8
5/8	3/8	MC10-6	1.74	0.96	0.38	15/16
5/8	1/2	MC10-8	1.93	0.96	0.47	15/16
5/8	3/4	MC10-12	1.99	0.96	0.50	1 1/16
3/4	1/2	MC12-8	1.99	0.96	0.47	1 1/16
3/4	3/4	MC12-12	1.99	0.96	0.62	1 1/16
3/4	1	MC12-16	2.25	0.96	0.62	1 3/8
7/8	3/4	MC14-12	1.99	1.02	0.62	1 3/16
7/8	1	MC14-16	2.25	1.02	0.72	1 3/8
1	1/2	MC16-8	2.26	1.23	0.47	1 3/8
1	3/4	MC16-12	2.26	1.23	0.62	1 3/8
1	1	MC16-16	2.45	1.23	0.88	1 3/8

Dimensions for reference only, subject to change.